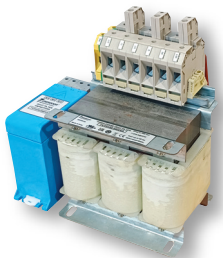


Output filter with excellent attenuation for effective dV/dt reduction

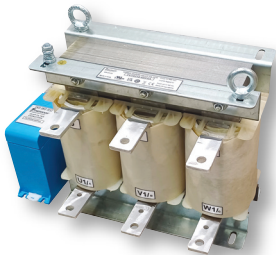
APPROVALS:



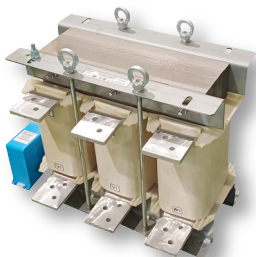
FINFVT.(002 - 075).M



FINFVT.(090 - 180).M



FINFVT.(210 - 260).M



FINFVT.(320 - 1000).M

CHARACTERISTICS

- Rated current from 2 to 1000A
- Compact design
- Enclosure available upon request

MARKETS

- Applications with motor cables up to 250 m
- Variable frequency drives / servo drives
- Industrial automation
- Water treatment plants
- Agriculture

CODE

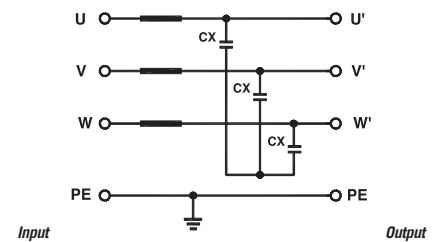
FVT0012.4MXXA

Model	Current	Voltage	Connection	Protection	Open Frame
FVT 0012	4	M	XX	A	
		4 = 400/480 V	M = Clamp	XX = None	
		7 = 690 V	B = Bus bar	T1 = 1 Thermocouple	
				T3 = 3 Thermocouples	

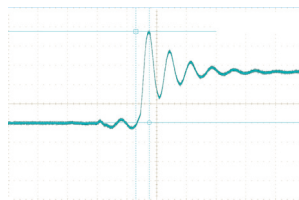
BENEFITS

- Minimal power loss
- Ventilation-free design
- Eliminates voltage peaks and high frequency noise

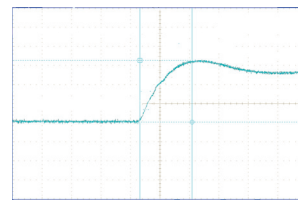
ELECTRICAL DIAGRAM



TYPICAL MEASUREMENT



Motor side pulse without FVT filter



Motor side pulse with FVT filter

TECHNICAL SPECIFICATIONS

Nominal voltage	0 - 480 Vac or 0 - 690 Vac
Frequency	0 - 70 Hz
Rated current	2 - 1000 A
Ambient temperature	40°C
Altitude	Derating $I_T = \sqrt{(85-T)/45}$ 1000m
Relative humidity	Derating 0.5% every 100m
Overload capability	<95% no condensation
IP Protection	1.5 x Rated current
Optional	IP20 up to 180 A IP00 over 260 A Current and inductance customizations available on request

ELECTRICAL CHARACTERISTICS

FVT	Voltage (V)	Rated Current 40°C	Power Loss (W)
FVT0002.4MXXA	480	2	7
FVT0004.4MXXA	480	4	9
FVT0006.4MXXA	480	6	12
FVT0008.4MXXA	480	8	15
FVT0012.4MXXA	480	12	22
FVT0016.4MXXA	480	16	28
FVT0020.4MXXA	480	20	31
FVT0025.4MXXA	480	25	32
FVT0032.4MXXA	480	32	39
FVT0038.4MXXA	480	38	51
FVT0045.4MXXA	480	45	55
FVT0060.4MXXA	480	60	61
FVT0075.4MXXA	480	75	68
FVT0090.4MXXA	480	90	77
FVT0110.4MXXA	480	110	100
FVT0130.4MXXA	480	130	93
FVT0150.4MXXA	480	150	104
FVT0180.4MXXA	480	180	116

CONNECTIONS

LINE		PE		CAPACITORS		CAPACITOR BOX	
Cable (mm ²)	Terminal Torque (Nm)	Cable (mm ²)	Terminal Torque (Nm)	Cable (mm ²)	Terminal Torque (Nm)	Cable (mm ²)	Terminal Torque (Nm)
0.5-4	0.8	0.5-4	0.8	0.5-4	0.8	0.5-4	0.8
0.5-4	0.8	0.5-4	0.8	0.5-4	0.8	0.5-4	0.8
0.5-4	0.8	0.5-4	0.8	0.5-4	0.8	0.5-4	0.8
0.5-4	0.8	0.5-4	0.8	0.5-4	0.8	0.5-4	0.8
0.5-4	0.8	0.5-4	0.8	0.5-4	0.8	0.5-4	0.8
0.5-6	1.8	0.5-6	1.8	0.5-6	1.8	0.5-4	0.8
0.5-6	1.8	0.5-6	1.8	0.5-6	1.8	0.5-4	0.8
0.5-10	1.3	0.5-10	1.3	0.5-10	1.3	0.5-4	0.8
0.5-10	1.3	0.5-10	1.3	0.5-10	1.3	0.5-4	0.8
1.5-16	3.4	1.5-16	3.4	1.5-16	3.4	0.5-4	0.8
1.5-16	3.4	1.5-16	3.4	1.5-16	3.4	0.5-4	0.8
1.5-35	6.5	1.5-16	3.4	1.5-35	6.5	0.5-4	0.8
1.5-35	6.5	1.5-16	3.4	1.5-35	6.5	0.5-4	0.8
16-50	5.6	1.5-35	6.5	05-6	1.8	0.5-4	0.8
16-50	5.6	1.5-35	6.5	05-6	1.8	0.5-4	0.8
35-95	10	16-50	5.6	05-6	1.8	0.5-4	0.8
35-95	10	16-50	5.6	05-6	1.8	0.5-4	0.8
35-95	10	16-50	5.6	05-6	1.8	0.5-4	0.8

ELECTRICAL CHARACTERISTICS

FVT	Voltage (V)	Rated Current 40°C	Power Loss (W)
FVT0210.4BXXA	480	210	122
FVT0260.4BXXA	480	260	151
FVT0320.4BXXA	480	320	134
FVT0380.4BXXA	480	380	150
FVT0440.4BXXA	480	440	165
FVT0500.4BXXA	480	500	191
FVT0600.4BXXA	480	600	234
FVT0700.4BXXA	480	700	280
FVT0800.4BXXA	480	800	0
FVT0900.4BXXA	480	900	0
FVT1000.4BXXA	480	1000	0

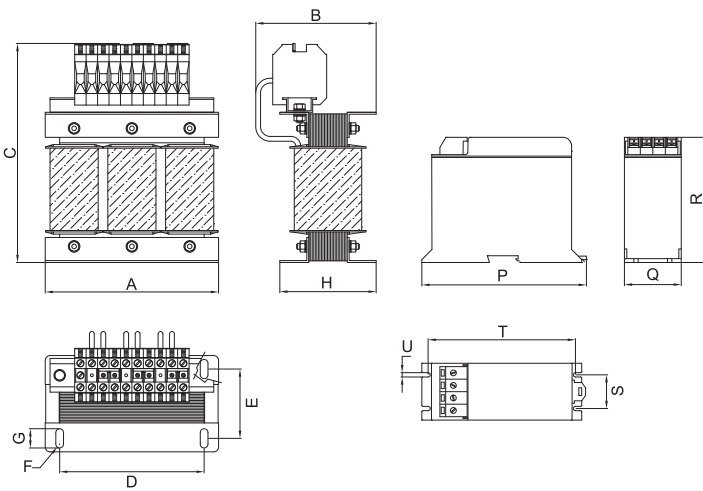
CONNECTIONS

LINE	PE	CAPACITORS	CAPACITOR BOX	
Torque (Nm)	Screw (mm)	Torque (Nm)	Cable (mm ²)	Terminal Torque (Nm)
25	8x25	14	0.5-4	0.8
50	8x25	14	0.5-4	0.8
50	8x25	14	0.5-4	0.8
50	8x25	14	0.5-4	0.8
50	8x25	14	0.5-4	0.8
50	8x25	14	0.5-4	0.8
50	8x25	14	0.5-4	0.8
50	10x35	14	0.5-4	0.8
50	10x35	14	0.5-4	0.8
50	10x35	14	0.5-4	0.8
50	10x35	14	0.5-4	0.8

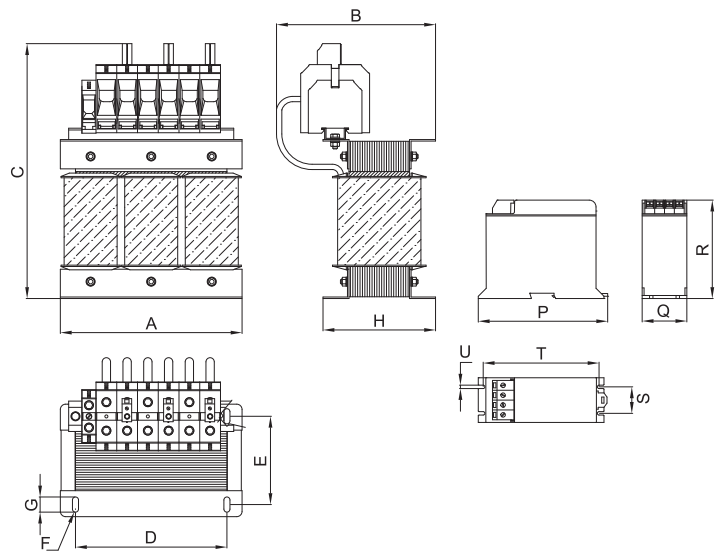
MECHANICAL DIMENSIONS mm

FVT	A	B	C	D	E	F	G	H	P	Q	R	S	T	U	Weight Kg.	Case
FVT0002.4MXXA	150	98	185	125	56	6	13	73	170	59	130	35	153	4.5	3.5	1
FVT0004.4MXXA	150	98	185	125	56	6	13	73	170	59	130	35	153	4.5	3.6	1
FVT0006.4MXXA	150	98	185	125	56	6	13	73	170	59	130	35	153	4.5	3.7	1
FVT0008.4MXXA	150	98	185	125	56	6	13	73	170	59	130	35	153	4.5	3.8	1
FVT0012.4MXXA	150	98	185	125	56	6	13	73	170	59	130	35	153	4.5	3.9	1
FVT0016.4MXXA	150	98	189	125	56	6	13	73	170	59	130	35	153	4.5	4.1	1
FVT0020.4MXXA	150	103	189	125	61	6	13	78	170	59	130	35	153	4.5	4.7	1
FVT0025.4MXXA	150	118	193	125	71	6	13	88	170	59	130	35	153	4.5	5.8	1
FVT0032.4MXXA	150	118	193	125	71	6	13	88	170	59	130	35	153	4.5	6.1	1
FVT0038.4MXXA	180	130	231	150	72	8	20	100	170	59	130	35	153	4.5	7.3	1
FVT0045.4MXXA	180	140	231	150	82	8	20	110	170	59	130	35	153	4.5	8.6	1
FVT0060.4MXXA	180	150	231	150	92	8	20	120	170	59	130	35	153	4.5	10.2	1
FVT0075.4MXXA	180	150	231	150	92	8	20	120	170	59	130	35	153	4.5	10.6	1
FVT0090.4MXXA	180	175	264	150	107	8	20	135	170	59	130	35	153	4.5	12.9	2
FVT0110.4MXXA	240	170	330	200	87	8	20	119	170	59	130	35	153	4.5	15.7	2
FVT0130.4MXXA	240	180	334	200	97	8	20	129	170	59	130	35	153	4.5	18.5	2
FVT0150.4MXXA	240	210	334	200	117	8	20	149	170	59	130	35	153	4.5	23.9	2
FVT0180.4MXXA	240	210	334	200	117	8	20	149	170	59	130	35	153	4.5	24.5	2

CASE 1



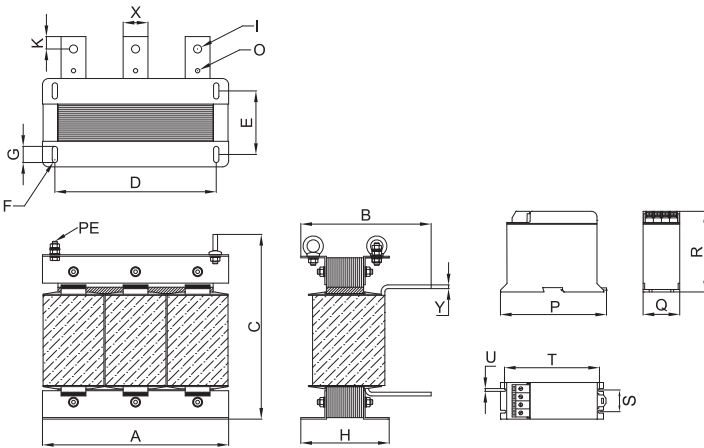
CASE 2



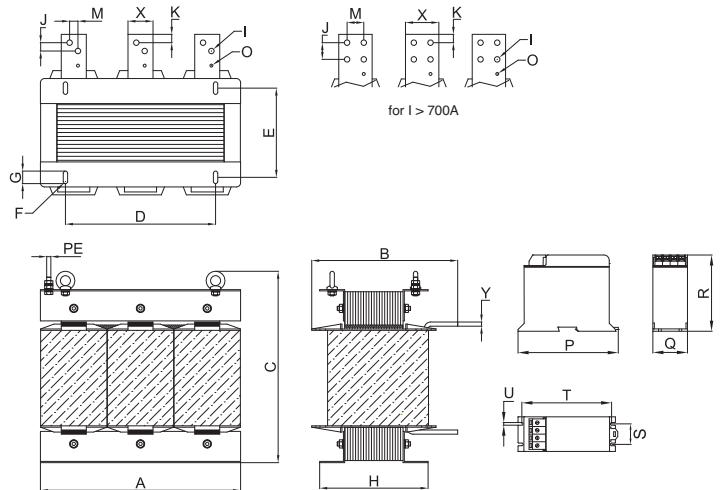
MECHANICAL DIMENSIONS mm

FVT	A	B	C	D	E	F	G	H	I	M	O	J	K	X	Y	P	Q	R	S	T	U	Weight Kg.	Case
FVT0210.4BXXA	300	206	295	260	103	8	26	143	11		7	15	30	6	170	59	130	35	153	4.5	28.8	3	
FVT0260.4BXXA	300	210	295	260	103	8	26	143	13		7	15	40	6	170	59	130	35	153	4.5	29.4	3	
FVT0320.4BXXA	300	247	295	260	113	8	26	153	13	20	7	20	15	50	6	170	59	130	35	153	4.5	35.3	4
FVT0380.4BXXA	300	330	295	260	113	8	26	153	13	14	7	20	15	40	10	170	59	130	35	153	4.5	37.0	4
FVT0440.4BXXA	360	340	345	260	115	8	26	155	13	14	7	20	15	40	10	170	59	130	35	153	4.5	50.1	4
FVT0500.4BXXA	360	340	345	260	115	8	26	155	13	20	7	20	15	50	10	170	59	130	35	153	4.5	50.2	4
FVT0600.4BXXA	360	347	345	260	145	8	26	185	13	20	7	20	15	50	10	170	59	130	35	153	4.5	69.0	4
FVT0700.4BXXA	480	343	445	360	154	10	30	200	13	20	7	20	20	60	10	170	59	130	35	153	4.5	97.2	4
FVT0800.4BXXA	480	377	459	360	184	10	30	230	13	40	7	40	20	80	10	170	59	130	35	153	4.5	126	5
FVT0900.4BXXA	480	405	459	360	214	10	30	260	13	40	7	40	20	80	10	170	59	130	35	153	4.5	156	5
FVT1000.4BXXA	480	395	459	360	214	10	30	260	13	40	7	40	20	80	10	170	59	130	35	153	4.5	156	5

CASE 3



CASE 4.5



ELECTRICAL CHARACTERISTICS

FVT	Voltage (V)	Rated Current 40°C	Power Loss (W)
FVT0002.7MXXA	690	2	9
FVT0004.7MXXA	690	4	15
FVT0006.7MXXA	690	6	21
FVT0008.7MXXA	690	8	25
FVT0012.7MXXA	690	12	34
FVT0016.7MXXA	690	16	36
FVT0020.7MXXA	690	20	53
FVT0025.7MXXA	690	25	48
FVT0032.7MXXA	690	32	60
FVT0038.7MXXA	690	38	55
FVT0045.7MXXA	690	45	69
FVT0060.7MXXA	690	60	88
FVT0075.7MXXA	690	75	103
FVT0090.7MXXA	690	90	110
FVT0110.7MXXA	690	110	131
FVT0130.7MXXA	690	130	151
FVT0150.7MXXA	690	150	156
FVT0180.7MXXA	690	180	175

CONNECTIONS

LINE		PE		CAPACITORS		CAPACITOR BOX	
Cable (mm ²)	Terminal Torque (Nm)	Cable (mm ²)	Terminal Torque (Nm)	Cable (mm ²)	Terminal Torque (Nm)	Cable (mm ²)	Terminal Torque (Nm)
0.5-4	0.8	0.5-4	0.8	0.5-4	0.8	0.5-4	0.8
0.5-4	0.8	0.5-4	0.8	0.5-4	0.8	0.5-4	0.8
0.5-4	0.8	0.5-4	0.8	0.5-4	0.8	0.5-4	0.8
0.5-4	0.8	0.5-4	0.8	0.5-4	0.8	0.5-4	0.8
0.5-4	0.8	0.5-4	0.8	0.5-4	0.8	0.5-4	0.8
0.5-6	1.8	0.5-6	1.8	0.5-6	1.8	0.5-4	0.8
0.5-6	1.8	0.5-6	1.8	0.5-6	1.8	0.5-4	0.8
0.5-10	1.3	0.5-10	1.3	0.5-10	1.3	0.5-4	0.8
0.5-10	1.3	0.5-10	1.3	0.5-10	1.3	0.5-4	0.8
1.5-16	3.4	1.5-16	3.4	1.5-16	3.4	0.5-4	0.8
1.5-16	3.4	1.5-16	3.4	1.5-16	3.4	0.5-4	0.8
1.5-35	6.5	1.5-16	3.4	1.5-35	6.5	0.5-4	0.8
1.5-35	6.5	1.5-16	3.4	1.5-35	6.5	0.5-4	0.8
16-50	5.6	1.5-35	6.5	05-6	1.8	0.5-4	0.8
16-50	5.6	1.5-35	6.5	05-6	1.8	0.5-4	0.8
35-95	10	16-50	5.6	05-6	1.8	0.5-4	0.8
35-95	10	16-50	5.6	05-6	1.8	0.5-4	0.8
35-95	10	16-50	5.6	05-6	1.8	0.5-4	0.8

ELECTRICAL CHARACTERISTICS

FVT	Voltage (V)	Rated Current 40°C	Power Loss (W)
FVT0210.7BXXA	690	210	1158
FVT0260.7BXXA	690	260	183
FVT0320.7BXXA	690	320	208
FVT0380.7BXXA	690	380	220
FVT0440.7BXXA	690	440	268
FVT0500.7BXXA	690	500	284
FVT0600.7BXXA	690	600	343
FVT0700.7BXXA	690	700	401
FVT0800.7BXXA	690	800	578
FVT0900.7BXXA	690	900	640
FVT1000.7BXXA	690	1000	654

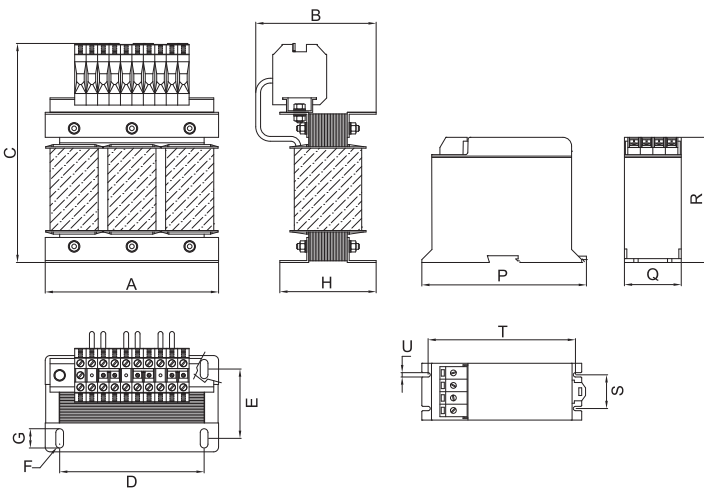
CONNECTIONS

LINE	PE	CAPACITORS	CAPACITOR BOX	
Torque (Nm)	Screw (mm)	Torque (Nm)	Cable (mm ²)	Terminal Torque (Nm)
25	8x25	14	0.5-4	0.8
50	8x25	14	0.5-4	0.8
50	8x25	14	0.5-4	0.8
50	8x25	14	0.5-4	0.8
50	8x25	14	0.5-4	0.8
50	8x25	14	0.5-4	0.8
50	8x25	14	0.5-4	0.8
50	10x35	14	0.5-4	0.8
50	10x35	14	0.5-4	0.8
50	10x35	14	0.5-4	0.8
50	10x35	14	0.5-4	0.8

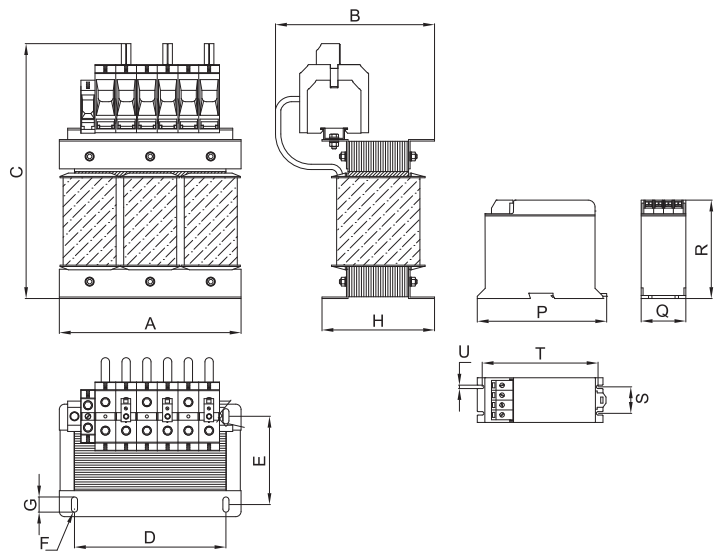
MECHANICAL DIMENSIONS mm

FVT	A	B	C	D	E	F	G	H	P	Q	R	S	T	U	Weight Kg.	Case
FVT0002.7MXXA	150	98	185	125	56	6	13	73	170	59	130	35	153	4.5	2.6	1
FVT0004.7MXXA	150	98	185	125	56	6	13	73	170	59	130	35	153	4.5	2.7	1
FVT0006.7MXXA	150	98	185	125	56	6	13	73	170	59	130	35	153	4.5	2.9	1
FVT0008.7MXXA	150	98	185	125	56	6	13	73	170	59	130	35	153	4.5	3.1	1
FVT0012.7MXXA	150	103	185	125	61	6	13	78	170	59	130	35	153	4.5	3.8	1
FVT0016.7MXXA	150	113	189	125	71	8	13	88	170	59	130	35	153	4.5	5.1	1
FVT0020.7MXXA	180	125	214	150	72	8	20	100	170	59	130	35	153	4.5	6.3	1
FVT0025.7MXXA	180	140	218	150	82	8	20	110	170	59	130	35	153	4.5	7	1
FVT0032.7MXXA	180	140	218	150	82	8	20	110	170	59	130	35	153	4.5	8.2	1
FVT0038.7MXXA	180	150	231	150	92	8	20	120	170	59	130	35	153	4.5	9.9	1
FVT0045.7MXXA	180	165	231	150	107	8	20	135	170	59	130	35	153	4.5	11.9	1
FVT0060.7MXXA	240	149	281	200	87	8	20	119	170	59	130	35	153	4.5	15	1
FVT0075.7MXXA	240	159	281	200	97	8	20	129	170	59	130	35	153	4.5	17.9	1
FVT0090.7MXXA	240	169	316	200	97	8	20	129	170	59	130	35	153	4.5	18.8	2
FVT0110.7MXXA	240	189	316	200	117	8	20	149	170	59	130	35	153	4.5	24.3	2
FVT0130.7MXXA	300	200	384	260	103	8	26	143	170	59	130	35	153	4.5	28.5	2
FVT0150.7MXXA	300	200	384	260	103	8	26	143	170	59	130	35	153	4.5	29.6	2
FVT0180.7MXXA	300	217	384	260	113	8	26	153	170	59	130	35	153	4.5	34.1	2

CASE 1



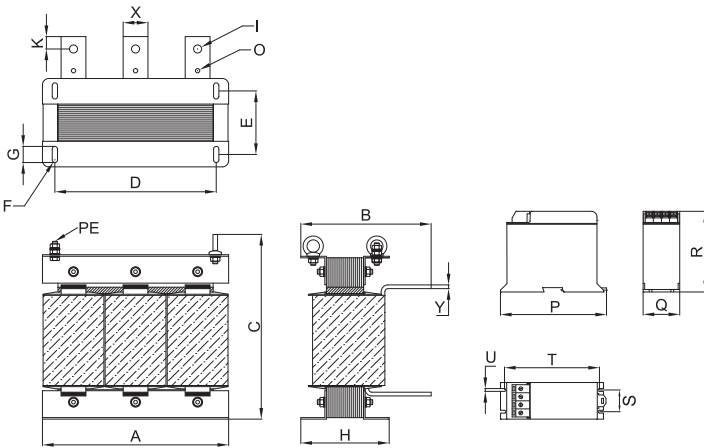
CASE 2



MECHANICAL DIMENSIONS mm

FVT	A	B	C	D	E	F	G	H	I	M	O	J	K	X	Y	P	Q	R	S	T	U	Weight Kg.	Case
FVT0210.7BXXA	300	357	295	260	133	8	26	173	11		7		15	30	6	170	59	130	35	153	4.5	45	3
FVT0260.7BXXA	360	357	345	260	115	8	26	155	13		7		15	40	6	170	59	130	35	153	4.5	51	3
FVT0320.7BXXA	360	324	345	260	115	8	26	155	13	20	7	20	15	50	6	170	59	130	35	153	4.5	54.9	4
FVT0380.7BXXA	360	344	345	260	145	8	26	185	13	20	7	20	15	50	6	170	59	130	35	153	4.5	72.6	4
FVT0440.7BXXA	360	428	345	260	165	8	26	205	13	14	7	20	15	40	10	170	59	130	35	153	4.5	83.3	4
FVT0500.7BXXA	360	428	345	260	165	8	26	205	13	20	7	20	15	50	10	170	59	130	35	153	4.5	86	4
FVT0600.7BXXA	480	423	445	360	154	10	30	200	13	20	7	20	15	50	10	170	59	130	35	153	4.5	106.3	4
FVT0700.7BXXA	480	400	445	360	184	10	30	230	13	20	7	20	20	60	10	170	59	130	35	153	4.5	133.5	4
FVT0800.7BXXA	600	414	550	380	210	14	30	254	13	40	7	40	20	80	10	170	59	130	35	153	4.5	235	5
FVT0900.7BXXA	600	414	550	380	210	14	30	254	13	40	7	40	20	80	10	170	59	130	35	153	4.5	235	5
FVT1000.7BXXA	600	424	550	380	210	14	30	254	13	40	7	40	20	100	10	170	59	130	35	153	4.5	238	5

CASE 3



CASE 4.5

